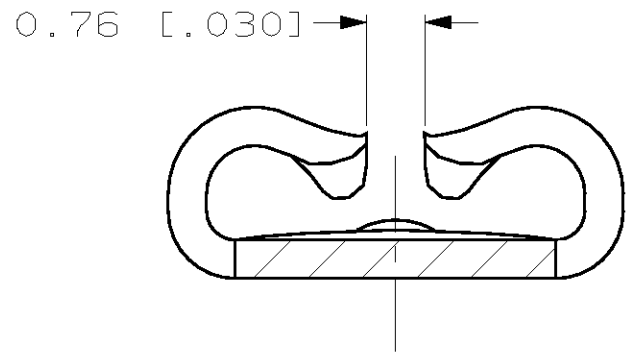
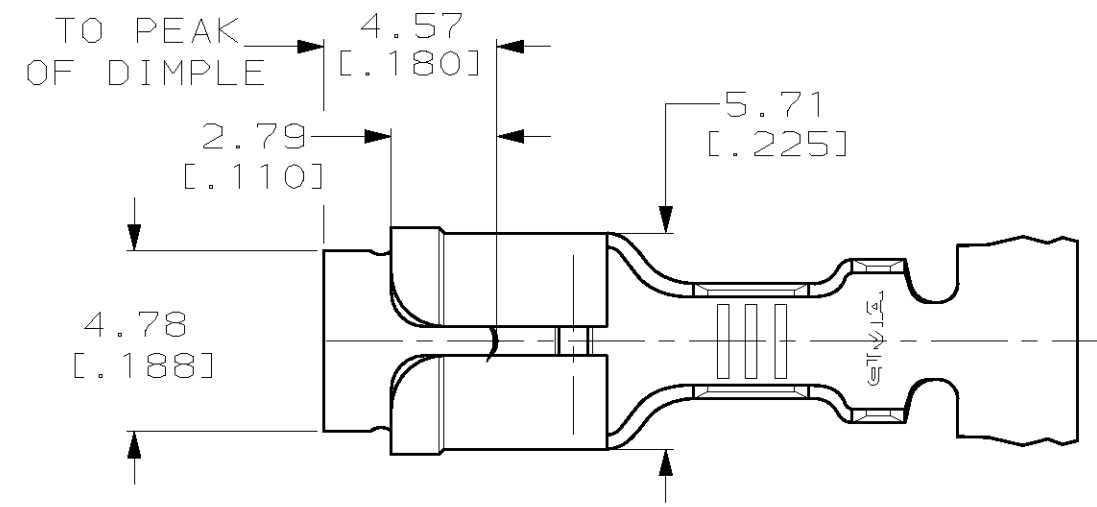


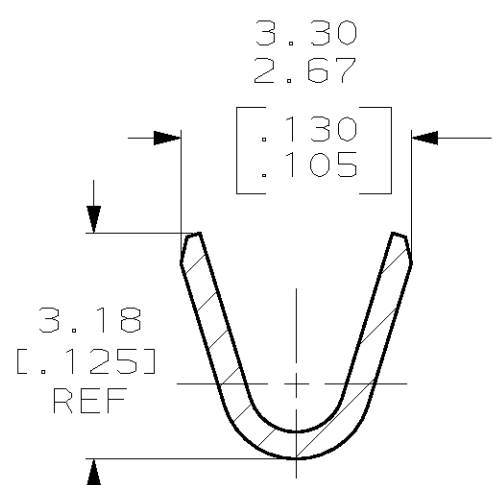
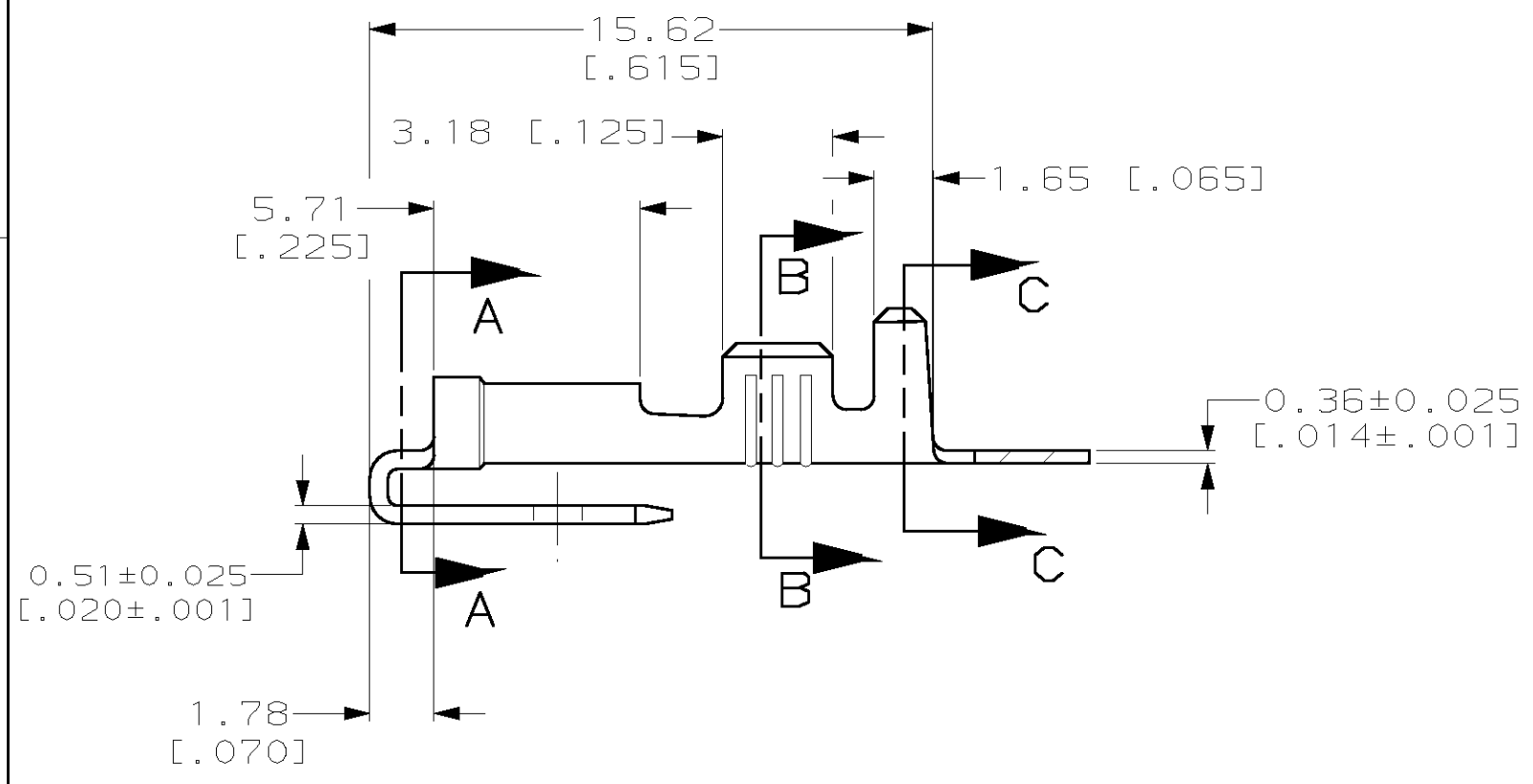
THIS DRAWING IS UNPUBLISHED. RELEASED FOR PUBLICATION, 19 .  
 © COPYRIGHT 19 BY AMP INCORPORATED. ALL RIGHTS RESERVED.

LOC	DIST	REVISIONS			
P	LTR	DESCRIPTION	DATE	DWN	APVD
AF	50	A	RELEASED PER 0L10-0354-97	8/26/97	JR PD

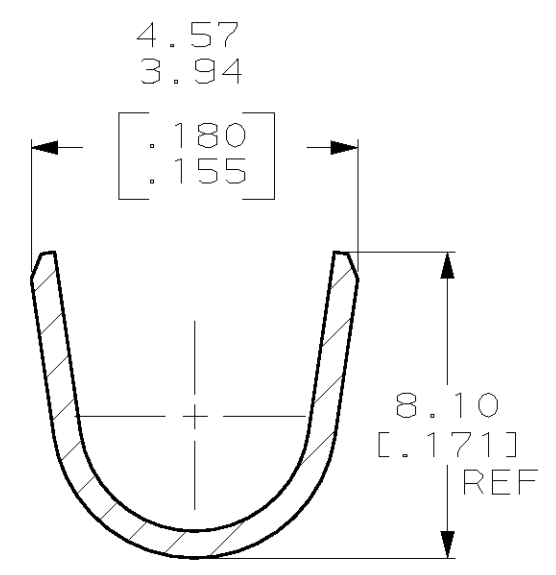


- 1 CONTINUOUS STRIP ON REELS.
- 2 WIRE SIZE IS [#20-#16] AWG.
- 3 MATING TAB THK TO BE 0.81±0.025 [.032±.001].
- 4 INSULATION RANGE IS 2.10-3.30 [.083-.130] DIA.

SECTION A-A  
SCALE 10:1



SECTION B-B  
SCALE 10:1



SECTION C-C  
SCALE 10:1

1217001-1  
PART NO.

THIS DRAWING IS A CONTROLLED DOCUMENT.		DWN JR RUTH 6/20/97	<b>AMP</b> AMP Incorporated Harrisburg, PA 17105-3608	
DIMENSIONS: MM [INCHES]		CHK MS FEHER 6/20/97		
TOLERANCES UNLESS OTHERWISE SPECIFIED:		APVD P DESANTIS 6/20/97	NAME RECEPTACLE & TAB, FASTON, PIGGYBACK, 4.75 [.187] SERIES	
0 PLC ±-		PRODUCT SPEC	SIZE	CAGE CODE
1 PLC ±-		-	A3	00779
2 PLC ±0.25 [.010]		APPLICATION SPEC	DRAWING NO	RESTRICTED TO
3 PLC ±-		114-2082	C-1217001	-
4 PLC ±-		WEIGHT	SCALE 5:1 SHEET 1 OF 1 REV A	
ANGLES ±-		-		
FINISH -		CUSTOMER DRAWING		
MATERIAL H04 BRASS				